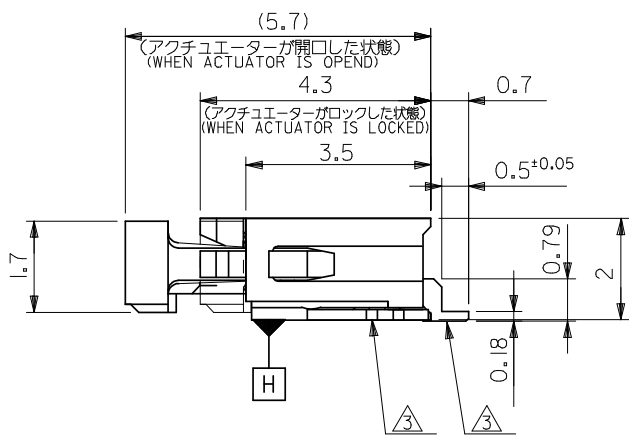
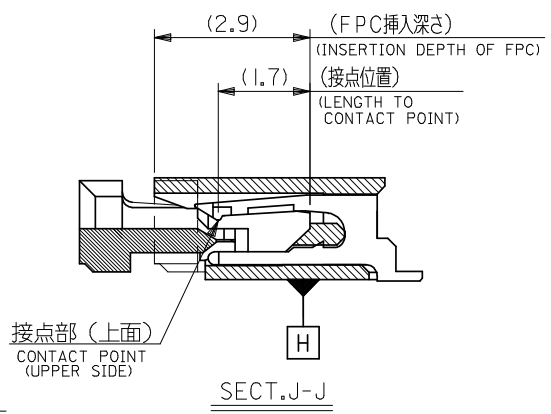
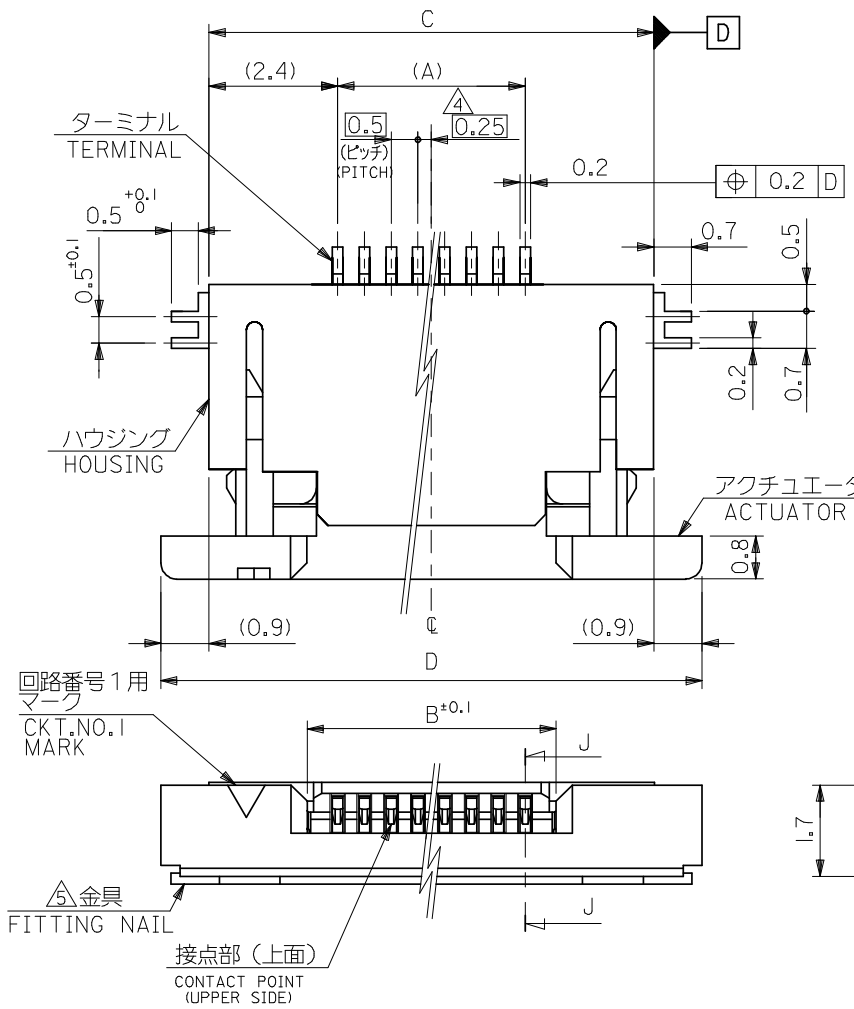


注記 NOTES

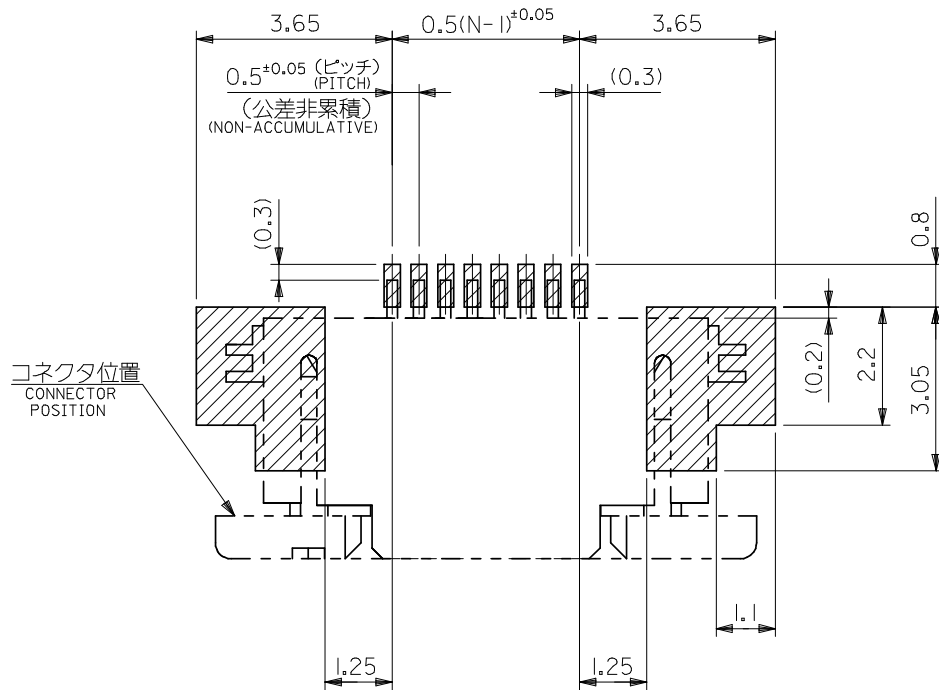
1. 使用材料 MATERIAL
- ハウジング HOUSING : ポリアミド46、ガラス充填、UL94V-0 (白)
  - ハウジング HOUSING : POLYAMIDE46, GLASS FILLED, UL94V-0(WHITE)
  - アクチュエータ ACTUATOR : ポリフェニレンサルファイド、ガラス充填、UL94V-0 (黒)
  - ACTUATOR : POLYPHENYLENE SULFIDE ,GLASS FILLED, UL94V-0(BLACK)
  - ターミナル TERMINAL : リン青銅、ニッケル下地銅ピスマメッキ (t=0.2)
  - TERMINAL : PHOSPOR BRONZE ,TIN-BISMUTH OVER NICKEL PLATING
  - 金具 FITTING NAIL : リン青銅、ニッケル下地純銀メッキ (t=0.2)
  - FITTING NAIL : PHOSPOR BRONZE ,TIN OVER NICKEL PLATING
2. エンボステープ梱包時は、アクチュエータがロックした状態とする。  
 IN THE PACKAGE,ACTUATOR OF PART NO.52745-\*\*-19 SHOULD BE LOCKED.
- △ ソルダテール半田付け面のズレ量、及び金具半田付け面のズレ量は、基準面 H に対し上方向 0.1 MAX. 下方向 0.15MAX. とする。  
 MISALIGNMENT OF SOLDER TAILS AND FITTING NAILS FROM H UPPER DIRECTION: 0.1 MAX. , LOWER DIRECTION: 0.15MAX.
- △ 偶数極に適用。  
 APPLY FOR EVEN CIRCUIT.
- △ パターンはくり止め用金具  
 FITTING NAIL FOR PREVENTION OF PEELING OF P.C.B. PATTERN.
6. 本製品は 52745-\*\*-17 の鉛フリー品である。  
 THIS PRODUCT IS LEAD FREE OF 52745-\*\*-17



16.1	14.3	10.65	9.5	52745-2096	52745-2019	20
15.6	13.8	10.15	9.0	-1996	-1919	19
15.1	13.3	9.65	8.5	-1896	-1819	18
14.6	12.8	9.15	8.0	-1796	-1719	17
14.1	12.3	8.65	7.5	-1696	-1619	16
13.6	11.8	8.15	7.0	-1596	-1519	15
13.1	11.3	7.65	6.5	-1496	-1419	14
12.6	10.8	7.15	6.0	-1396	-1319	13
12.1	10.3	6.65	5.5	-1296	-1219	12
11.6	9.8	6.15	5.0	-1196	-1119	11
11.1	9.3	5.65	4.5	-1096	-1019	10
10.6	8.8	5.15	4.0	-0996	-0919	9
10.1	8.3	4.65	3.5	-0896	-0819	8
9.6	7.8	4.15	3.0	-0796	-0719	7
9.1	7.3	3.65	2.5	-0696	-0619	6
8.1	6.3	2.65	1.5	52745-0496	52745-0419	4
D	C	B	(A)	EMBOSSED TAPE ORDER No. オ-ダ-番		MATERIAL NO. 極数 CIRCUIT

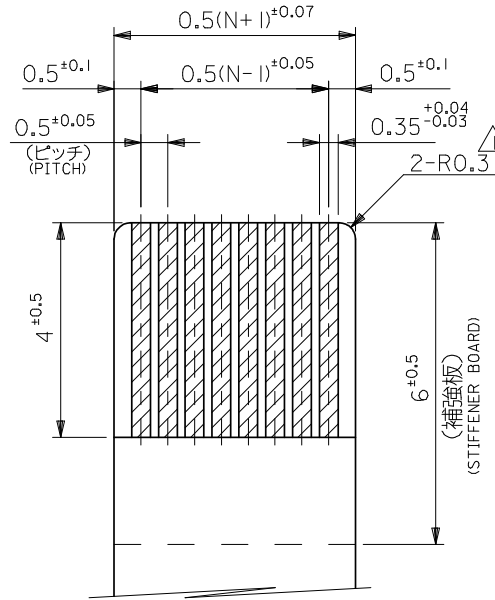
52745-\*\*-19 | MODEL NO.

REVISED EC NO: J2008-4308 DRWN:MNABEI 2008/06/27 CH'KD:THARUYAMA 2008/06/30 APPR:NUKITA 2008/06/30	GENERAL TOLERANCES (UNLESS SPECIFIED)		DIMENSION STYLE	SCALE	DESIGN UNITS	THIRD ANGLE PROJECTION
			MM ONLY	---	METRIC	
	10 UNDER	±0.2	DRAWN BY	DATE	TITLE	
	10 OVER 30 UNDER	±0.25	T. UENO	'04/01/28	0.5 FPC CONN ASSY ZIF UPR CONT -LEAD FREE-	
	30 OVER	±0.3	M. SASAO	'04/01/28	MOLEX INCORPORATED	
ANGULAR ±3 °		APPROVED BY	DATE	MATERIAL NO.	DOCUMENT NO.	SHEET NO.
DRAFT WHERE APPLICABLE MUST REMAIN WITHIN DIMENSIONS		M. SASAO	'04/01/28	SEE TABLE	SD-52745-048	1 OF 2
		THIS DRAWING CONTAINS INFORMATION THAT IS PROPRIETARY TO MOLEX INCORPORATED AND SHOULD NOT BE USED WITHOUT WRITTEN PERMISSION				

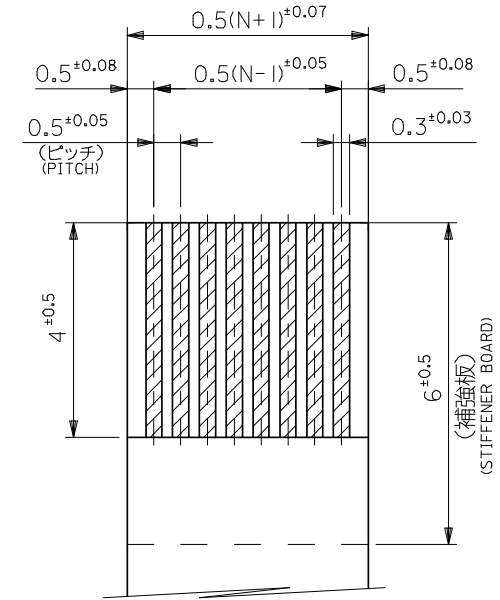


コネクタ位置  
CONNECTOR  
POSITION

参考基板レイアウト  
P.C.BOARD PATTERN  
DIMENSION (REF.)  
(マウント面)  
(MOUNTING SIDE)



適合FPC推奨寸法  
APPLICABLE FPC  
RECOMMENDED DIMENSION  
(仕上がり厚さ: 0.3±0.03)  
(THICKNESS: 0.3±0.03)



適合FFC推奨寸法  
APPLICABLE FFC  
RECOMMENDED DIMENSION  
(仕上がり厚さ: 0.3±0.03)  
(THICKNESS: 0.3±0.03)

FPCについて:

打抜き方向は導体側から補強板側を推奨致します。  
補強フィルム材質はポリイミドを推奨致します。  
接着剤は熱硬化接着剤を推奨致します。

ABOUT FPC:

RECOMMENDED PUNCHER DIRECTION : FROM CONDUCTOR SIDE TO STIFFENER BOARD SIDE.  
RECOMMENDED MATERIAL :  
STIFFENER FILM : POLYIMIDE  
BONDING AGENT : THERMOSETTING BONDING AGENT

注記 NOTES

△ R0.3は、FPCの導体部にかからないこと。  
R0.3 MUST NOT BE OVERLAPPED TO PATTERN OF FPC.

52745-\*\*19 | MODEL NO.

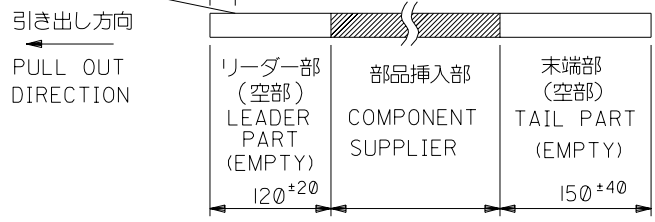
REVISED EC NO: J2008-4308 DRWN: MWABEI 2008/06/27 CHKD: THARUYAMA 2008/06/30 APPR: NUKITA 2008/06/30	GENERAL TOLERANCES (UNLESS SPECIFIED)		DIMENSION STYLE MM ONLY	SCALE ---	DESIGN UNITS METRIC	THIRD ANGLE PROJECTION
	10 UNDER	±0.2	DRAWN BY T. UENO	DATE '04/01/28	TITLE 0.5 FPC CONN ASSY ZIF UPR CONT -LEAD FREE-	
	10 OVER 30 UNDER	±0.25	CHECKED BY M. SASAO	DATE '04/01/28	MOLEX INCORPORATED	
	30 OVER	±0.3	APPROVED BY M. SASAO	DATE '04/01/28	DOCUMENT NO. SD-52745-048	SHEET NO. 2 OF 2
	ANGULAR ±3 °		MATERIAL NO. SEE SHEET 1			
DRAFT WHERE APPLICABLE MUST REMAIN WITHIN DIMENSIONS	SIZE A3		THIS DRAWING CONTAINS INFORMATION THAT IS PROPRIETARY TO MOLEX INCORPORATED AND SHOULD NOT BE USED WITHOUT WRITTEN PERMISSION			

注記 NOTES

1. 製品番号 52745-\*\*19 の梱包状態はアクチュエータがロックした状態とする。  
 詳細寸法については図面 SD-52745-048 を参照下さい。  
 IN THE PACKAGE,ACTUATOR OF PART NO.52745-\*\*19 SHOULD BE LOCKED  
 RE DETAILED DIMENSIONS,SEE SD-52745-048.

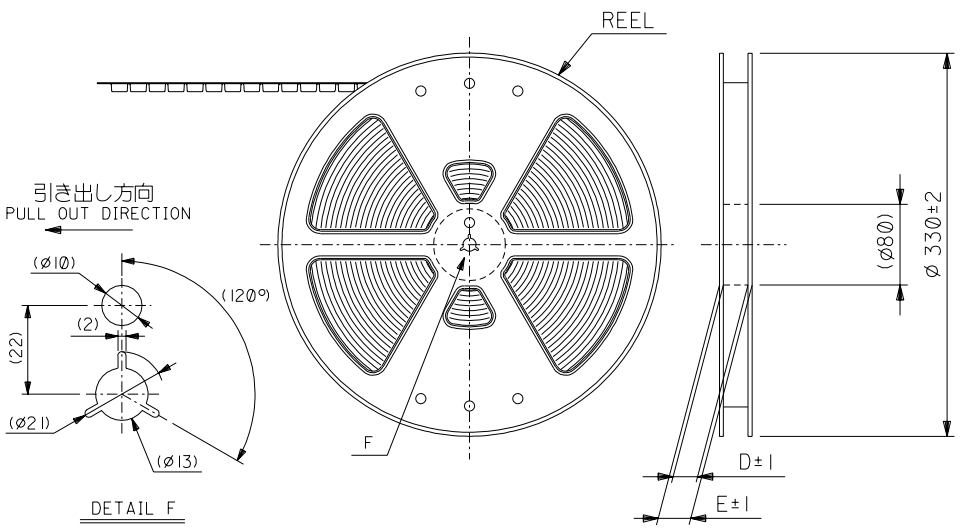
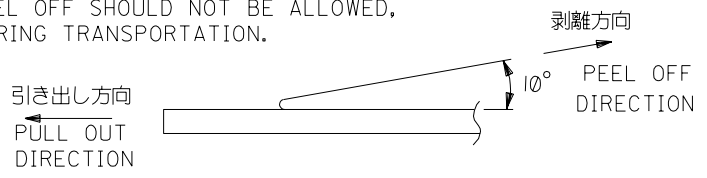
2. 梱包数量：1000個/リール  
 NUMBER OF CONNECTORS:1000PCS/REEL

3. リードテープ長さ LEAD TAPE LENGTH



4. トップテープの剥離強度：(剥離方向は下図参照)  
 0.1N~1.3N (10gf~130gf) 尚、本規格値は、出荷時に適用。  
 (但し、輸送時に剥離が発生しない事。)

PEELING OFF FORCE OF TOP TAPE:  
 0.1N~1.3N(10gf~130gf)(PEELING DIRECTION AS SHOWN IN FOLLOWING FIG.)  
 THIS REQUIREMENT SHOULD BE APPLIED AT SHIPMENT  
 PEEL OFF SHOULD NOT BE ALLOWED,  
 DURING TRANSPORTATION.

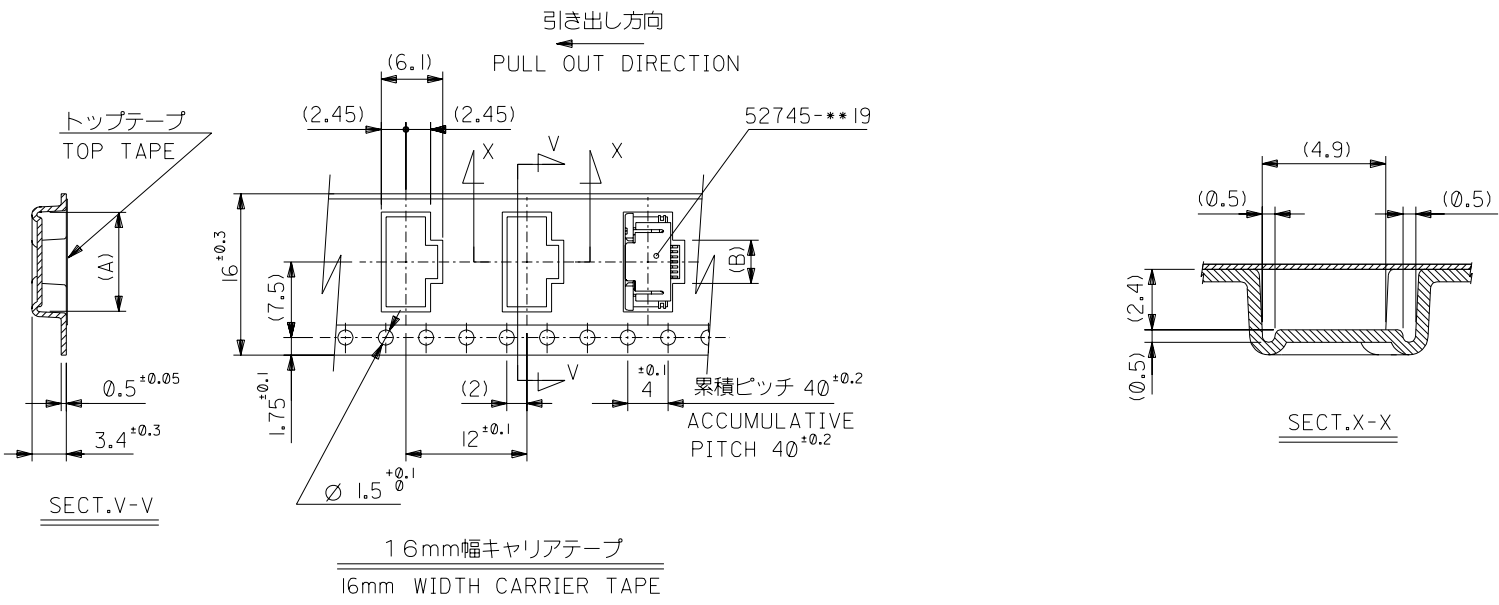


5. 材料  
 キャリアテープ：ポリプロピレン (PP)  
 トップテープ：PET, PE, PEF  
 リール：ポリスチレン (PS) <リサイクル材を含む>  
 MATERIAL CARRIER TAPE:POLYPROPYLENE  
 TOP TAPE:PET,PE,PEF  
 REEL:POLYSTYRENE(PS)  
 <RECYCLE MATERIAL CONTAINED>

6. 本製品は 52745-\*\*90 の鉛フリー品である。  
 THIS PRODUCT IS LEAD FREE OF 52745-\*\*90

DO NOT SCALE DRAWING

52745-**96 MODEL NO. DIMENSIONS: SHT REV 1 OF 3	
GENERAL TOLERANCES: (UNLESS SPECIFIED) 一般公差	
10 UNDER 未満 30 UNDER 未満 30 OVER 以上	±0.2 ±0.25 ±0.3
DRAWN BY & DATE T.UENO '04/01/08 CHECKED BY & DATE M.SASAO '04/01/08 APPROVED BY & DATE M.SASAO '04/01/08 CAD FILENAME SD-52745-049.S01	
TITLE: 0.5 FPC Conn Assy ZIF for SMT RA Embstp Pkg -LEAD FREE- MOLEX MOLEX INCORPORATED	
WIRE RANGE 適用層線範囲	//
ANGLE 角度	±3°
7888 DRAWING CONTAINS INFORMATION THAT IS PROPRIETARY TO MOLEX INCORPORATED AND SHOULD NOT BE USED WITHOUT WRITTEN PERMISSION.	
MATERIAL NO. SEE CHART	DRAWING NO. SD-52745-049
REVISED #61NO. J2004-2746 DRWN: M.NINOMIYA CHK: K.TOJO APPR: M.SASAO	REV #62NO. J2004-1852 DRWN: T.UENO CHK: M.SASAO APPR: M.SASAO
MATERIAL 材料 注記参照 SEE NOTES	FINISH 仕上げ //
INS. RANGE 被覆外径 //	//



16	21.4	17.4	17.5	2.8	8.4	52745-0496	4
キャリアテープ幅 CARRIER TAPE WIDTH	E	D	(C)	(B)	(A)	MATERIAL NO.	極数 CIRCUIT

DO NOT SCALE DRAWING

64NO. DRAWN: CHK: APPR:	63NO. DRAWN: CHK: APPR:	62NO. DRAWN: CHK: APPR:	REVISED 61NO. J2004-2746 DRAWN: M.NINOMIYA CHK: K. TOJO APPR: M.SASAO	RELEASED 60NO. J2004-1852 DRAWN: T.UENO CHK: M.SASAO APPR: M.SASAO	MATERIAL 材料  SHEET 1 OF 3 参照 REFER TO SHEET 1 OF 3	GENERAL TOLERANCES: (UNLESS SPECIFIED) 一般公差	SCALE 1:1	DESIGN UNITS <input checked="" type="checkbox"/> mm <input type="checkbox"/> INCH	PROJECTION <input checked="" type="checkbox"/> 1ST ANGLE <input type="checkbox"/> 3RD ANGLE	DIMENSIONS: <input type="checkbox"/> mm <input type="checkbox"/> INCH <input checked="" type="checkbox"/> mm ONLY	SHT 2 OF 3	REV 4
			WIRE RANGE 適用層線範囲	FINISH 仕上げ	UNDER 10 ±0.2 OVER 10 ±0.25 UNDER 30 ±0.25 OVER 30 ±0.3	DRAWN BY & DATE T.UENO '04/01/08	CHECKED BY & DATE M.SASAO '04/01/08	APPROVED BY & DATE M.SASAO '04/01/08	CAD FILENAME SD-52745-049.S02	MATERIAL NO. SEE CHART	DRAWING NO. SD-52745-049	SHEET NO. 2 OF 3

TITLE: 0.5 FPC Conn Assy ZIF for SMT RA Embstp Pkg -LEAD FREE-  
 MOLEX INCORPORATED

THIS DRAWING CONTAINS INFORMATION THAT IS PROPRIETARY TO MOLEX INCORPORATED AND SHOULD NOT BE USED WITHOUT WRITTEN PERMISSION.

